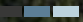




Designed for Precision 

# VULCAN AIR P68

The original multi-purpose plane



**Flight crew comfort**

- Excellent visibility
- Ergonomic design
- Garmin glass cockpit



**Spacious Cabin**

Plenty of space for sensors, support units & crew



**Autonomous Power Supply System for Mission Equipment**

- + 5 x 28V
- + 2 x 14V up to 50A



**Primary hatch**

- Large access for sensors
- Electrically driven doors



**Secondary hatch**

Further sensor mounts in the rear of the fuselage



**Flexibility in sensor installation**

Large format cameras + Laser scanner + Ergonomic work station

**TYPICAL MISSION CONFIGURATION**

630 kg	Max Payload
-170 kg	Crew (Pilot + Operator each 85 kg)
-230 kg	Sensor equipment (e.g. ULTRACAM Xp over the front hatch, Riegl Q 680i and IGI DigiCam over the rear hatch, including operator desk and screens)
- 230 kg	Fuel for 5 h+ (55 % / 4.000 ft)

# VULCAN AIR P68 Observer

The original multi purpose plane

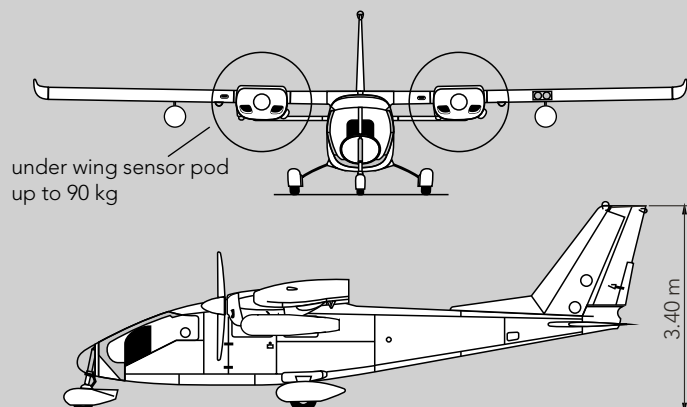
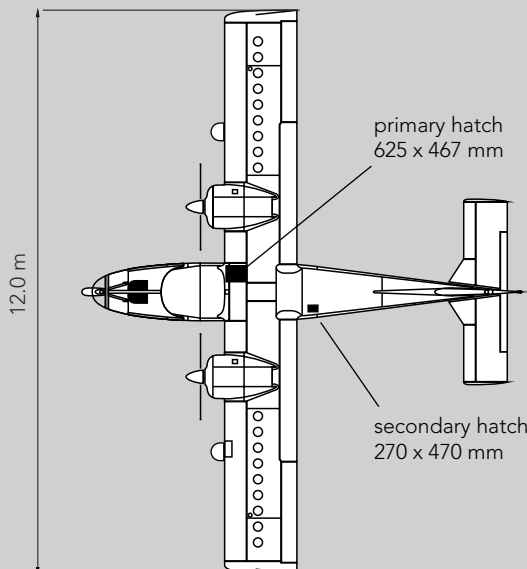
## MAIN FEATURES

- Enhanced mission power supply system (50 Amps @ 28VDC); optional independent switchable busses
- Individual and multifunctional operator console
- Multi-Sensor-Missions:  
2 fuselage hatches, 2 underwing sensor stations
- Unlimited paint schemes available
- Lowest noise emission (72,7 dB(A) according to ICAO/Annex.16 Vol1)
- Hardpoints for various antenna installations
- STOL and rough runway operation
- Field proven Lycoming engines (optional turbocharged), world wide support network
- Optional systems:  
de-ice, oxygen, enhanced cabin heating, aircondition

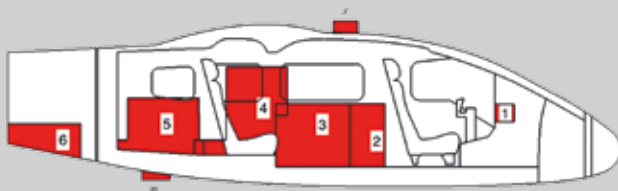
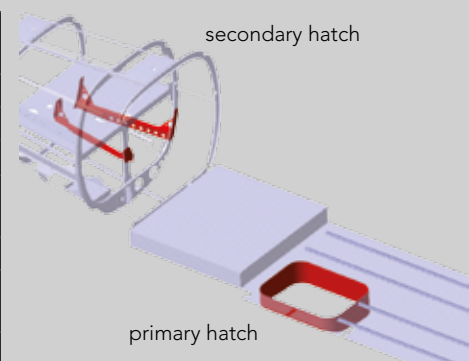
## PERFORMANCE (P68 TC)

Max cruise speed	202 KTAS	
Cruise speed (75 %, 12,000 ft)	171 KTAS	
Cruise speed (45 %, 9,000 ft)	145 KTAS	
Stalling speed with flaps	57 KIAS	
Min mission speed	75 KIAS	
Fuel tanks standard	670 lt (177 US Gal)	
Fuel consumption on mission	55 lt (14,4 US Gal)	
Fuel requirement	AVGAS 100 LL	
Climb rate, s.l.	1,400 ft/min	
Climb rate, s.l. (single engine)	220 ft/min	
Service ceiling (twin engine)	20,000 ft	
Max ceiling (single engine)	11,000 ft	
Max range	1,300 NM	
Take-off distance, s.l.	430 m	1,410 ft
Landing distance, s.l.	600 m	1,950 ft

both over 15 m (50 ft) obstacle



Area	Possible mission equipment	Max Weight	Max Height	Max Width	Max Length
		(kg)	(mm)	(mm)	(mm)
1	Flight Guidance (one side)	2,5	-	-	-
2	Computing Devices	20	630	480	350
3	Camera and Sensor Equipment	160	630	620	750
4	Operator Desk	25	885	435	940
5	Storage and Computing Devices	110	575	495	870
6	Secondary Hatch	30	A/R	270	470
7	GPS Antenna	0,5	50	120	120
8	Downlink Antenna	1	150	70	70





## ABOUT THE COMPANY

We are an Austrian private limited company based at the Wiener Neustadt Airport. Our company consists of a team of experts in aviation, system engineering and geo-data acquisition.

Our scope of services includes the integration of any Airborne Remote Sensor into the customers' platform, the development of customized ISR Turnkey Solutions as well as the acquisition and processing of geo information for governments, police, military and many sectors of industry.

## CONTACT

**Airborne Technologies GmbH**  
Viktor-Lang-Straße 8  
2700 Wiener Neustadt | Austria

[office@airbornetechnologies.at](mailto:office@airbornetechnologies.at)  
[www.airbornetechnologies.at](http://www.airbornetechnologies.at)

P+43 2622 34718 200  
F+43 2622 34718 300

**EASA Design Organization AP 320**