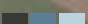




Designed for Precision 

VULCAN AIR P68

The original multi-purpose plane



Helicopter Cockpit

Optimizing the pilot's field of view in special service missions



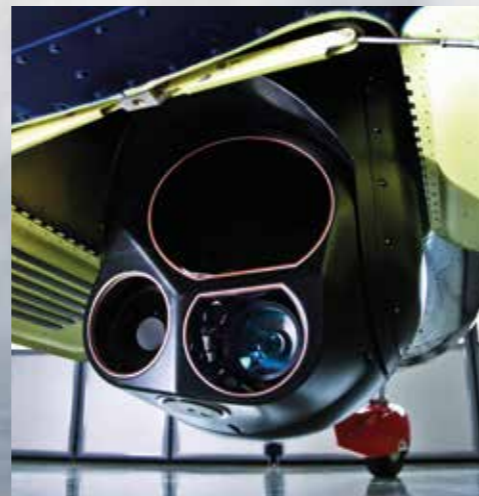
Garmin Glass Cockpit

Enhances mission crew coordination



Operator Work Station

Ergonomic and customized working environment



Large Sensor Bay

Versatile internal sensor compartment with a retractable sensor support system



Autonomous Power Supply System for Mission Equipment

+ 5 x 28V
+ 2 x 14V up to 50A



Beyond-Line-Of-Sight Satellite System

Worldwide data transmission



Spacious Cabin

Plenty of space for sensors, support units & crew

TYPICAL MISSION CONFIGURATION

- 650 kg Max Payload
- 250 kg Crew (Pilot/Copilot/Operator)
- 48 kg Electro Optical Sensor Equipment
- 30 kg Sensor Lift
- 15 kg Sattelite Up/Downlink System
- 6 kg Line of Sight
- 13 kg Operator Console + Augmented Reality System + Screens
- 5 kg Tactical Communication HF-Radio
- 283 kg Fuel for 5 h+ (65% / 4.000ft)

VULCAN AIR P68 Observer

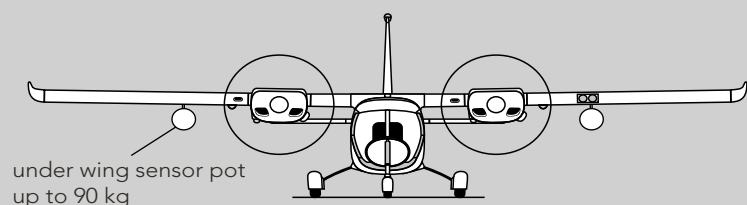
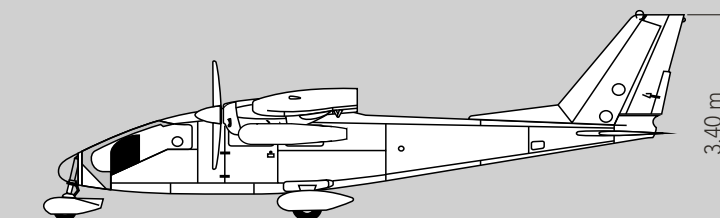
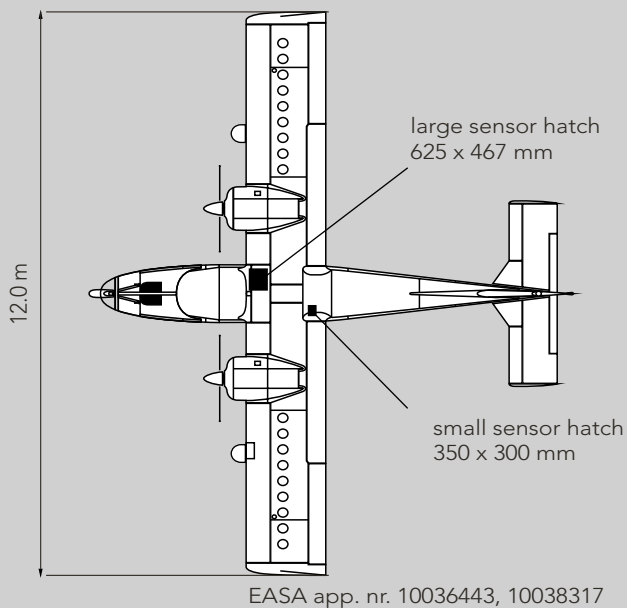
The original multi purpose plane

MAIN FEATURES

- Enhanced mission power supply system (50 Amps @ 28VDC); optional independent switchable busses
- Individual and multifunctional operator console
- Hatch with retractable sensor support (camera lift certified for 60 kg camera weight)
- Passive surveillance painting possible
- Lowest noise emission (72,7 dB(A) according to ICAO/Annex.16 Vol1)
- Hardpoints for various antenna installations
- STOL and rough runway operation
- Field proven Lycoming engines (optional turbocharged), world wide support network
- Optional systems: de-ice, oxygen, enhanced cabin heating, aircondition

PERFORMANCE (P68 TC)

Max cruise speed	202 KTAS	
Cruise speed (75 %, 12,000 ft)	171 KTAS	
Cruise speed (45 %, 9,000 ft)	145 KTAS	
Stalling speed with flaps	57 KIAS	
Min mission speed	75 KIAS	
Fuel tanks standard	670 lt (177 US Gal)	
Fuel consumption on mission	55 lt (14,4 US Gal)	
Fuel requirement	AVGAS 100 LL	
Climb rate, s.l.	1,400 ft/min	
Climb rate, s.l. (single engine)	220 ft/min	
Service ceiling (twin engine)	20,000 ft	
Max ceiling (single engine)	11,000 ft	
Max range	1,300 NM	
Take-off distance, s.l.	430 m	1,410 ft
Landing distance, s.l.	600 m	1,950 ft
	both over 15 m (50 ft) obstacle	





ABOUT THE COMPANY

We are an Austrian private limited company based at the Wiener Neustadt Airport. Our company consists of a team of experts in aviation, system engineering and geo-data acquisition.

Our scope of services includes the integration of any Airborne Remote Sensor into the customers' platform, the development of customized ISR Turnkey Solutions as well as the acquisition and processing of geo information for governments, police, military and many sectors of industry.

CONTACT

Airborne Technologies GmbH
Viktor-Lang-Straße 8
2700 Wiener Neustadt | Austria

office@airbornetechnologies.at
www.airbornetechnologies.at

P+43 2622 34718 200
F+43 2622 34718 300

EASA Design Organization AP 320