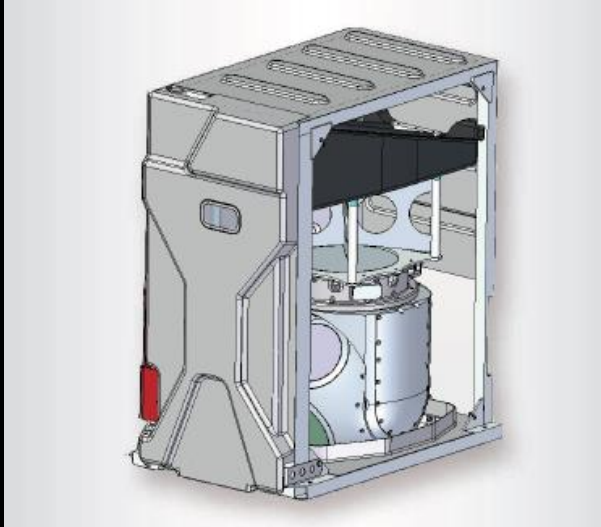


CAMERA LIFT FOR 10" GIMBAL



FULL CARBON DESIGN
6 KG EMPTY MASS
MAX. SENSOR LOAD: 30 KG
LOW PROFILE FOR BEST POSSIBLE OUTSIDE
VISIBILITY
FITS INTO REAR FUSLAGE CONE
INDEPENDENT EMERGENCY RETRACTION SYSTEM

CAMERA LIFT FOR 15" GIMBAL



ALUMINIUM/CARBON COMPOSIT DESIGN
25 KG EMPTY MASS
MAX. SENSOR LOAD: 51 KG
OPERATOR ACCESS FOR LENS CLEANING
INDEPENDENT AIRCRAFT RETRACTION SYSTEM