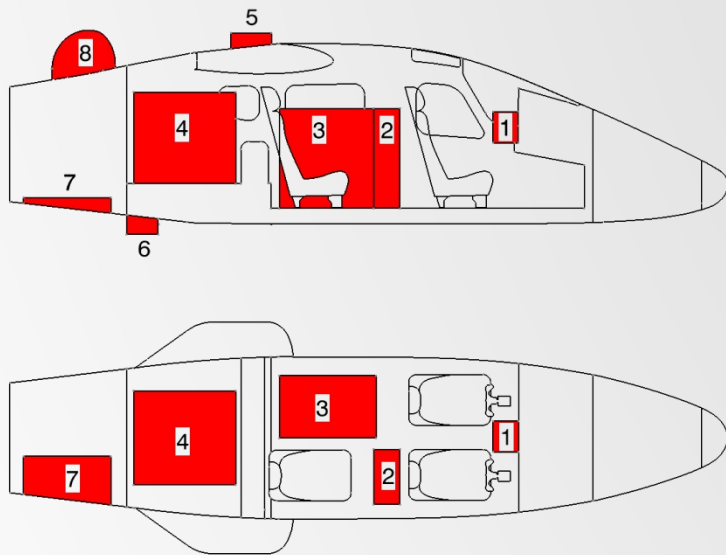


# TECNAM MMA – CABIN CONFIGURATION

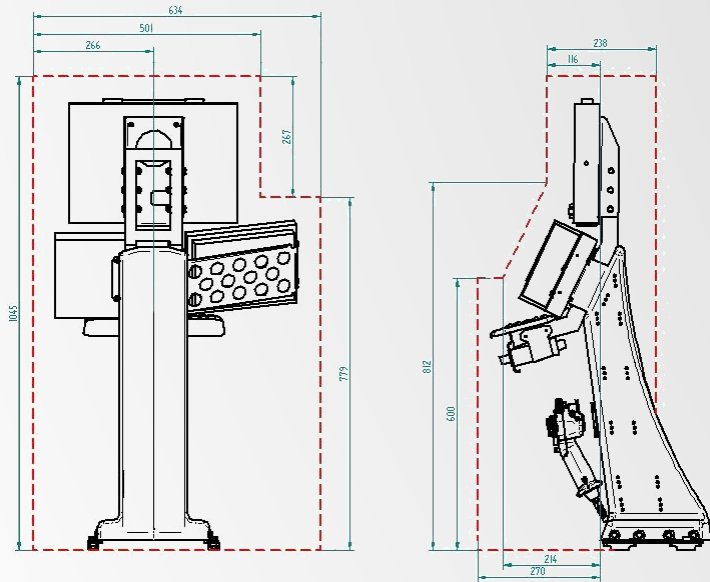
## Space for mission equipment



Area	Description	Max. Weight	Max. Height	Max. Width	Max. Length
		[kg]	[mm]	[mm]	[mm]
1	Flight Guidance	A/R	Limited by Compartment		
2	Operator Desk	20	1045	634	370
3	Sensor Equipment over main Hatch	110	928	572	836
4	Baggage compartment	80	580	690	820
5	GPS Antenna	0,5	50	120	120
6	Downlink Antenna	1	150	70	70
7	Sensor Equipment over rear Hatch	30	650	Limited by Compartment	
8	Satcom Antenna Radome	3	Limited by Compartment		

# TECNAM MMA – CABIN CONFIGURATION

## Operator desk



All dimensions in mm

## Hatch dimensions

